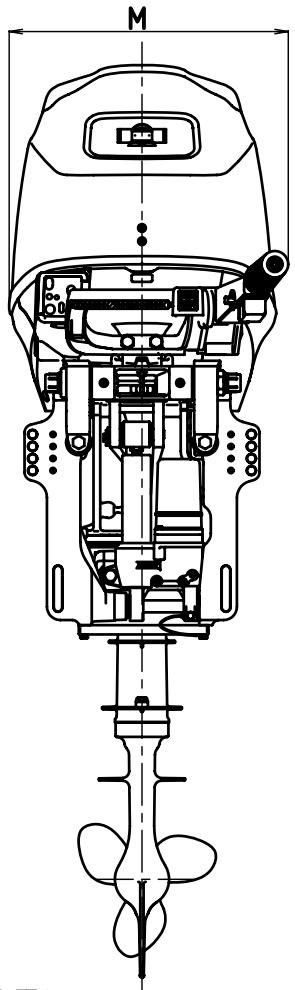
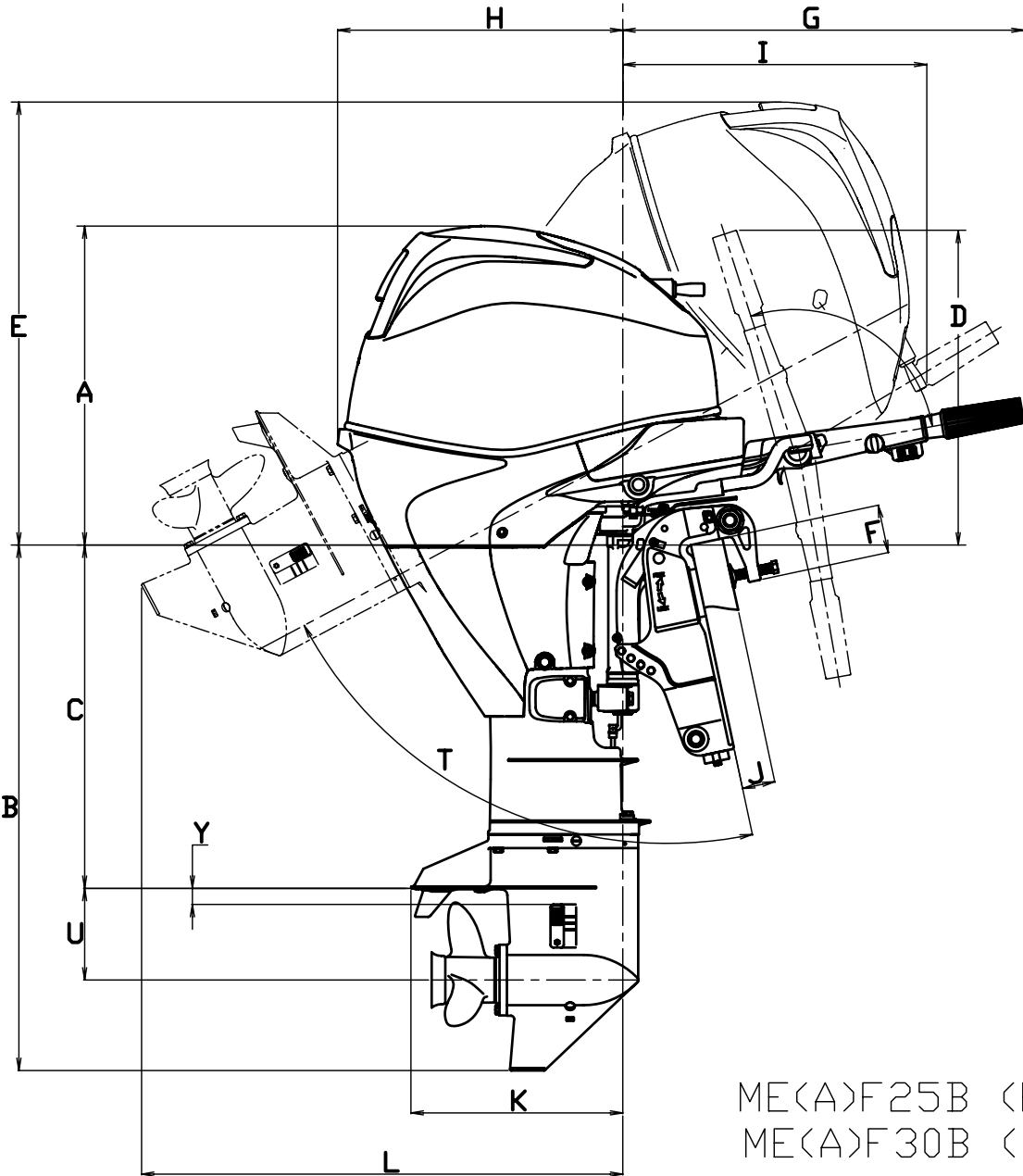


ITEM	TRANSOM or MODEL	UNITS	DIMENSIONS (Approx.)
A		mm	515
S		mm	700
B		mm	848
UL		mm	975
S		mm	404
C		mm	552
UL		mm	679
D	EHPT<MHGA/EHGA> (MHGA/EHGA)	mm	508 721
E	EHPT/ERCPT	mm	715
F		mm	78
G	EHPT<MHGA/EHGA>	mm	648
H	(MHGA/EHGA)	mm	461
I	EHPT/ERCPT	mm	490
J		mm	31~70
K		mm	342
	(MHGA/EHGA)	mm	649
S	EHPT/ERCPT	mm	655
	(MHGA/EHGA)	mm	771
L	EHPT/ERCPT	mm	777
	(MHGA/EHGA)	mm	872
	EHPT/ERCPT	mm	878
M	EHPT<MHGA/EHGA>	mm	417
	ERCPT	mm	400
N		mm	349
O		mm	240
P	EHPT<MHGA/EHGA>	mm	546
Q	EHPT<MHGA/EHGA>	deg.	98
R		deg.	12
S		deg.	35
T	(MHGA/EHGA)	deg.	68
	EHPT/ERCPT	deg.	74
U		mm	148
V		mm	26
W	TRIM ANGLE (POSITION)		8°~20° (4)



ME(A)F25B (PT)
ME(A)F30B (PT)

DIMENSIONAL DRAWING